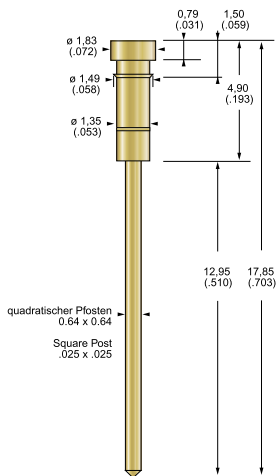


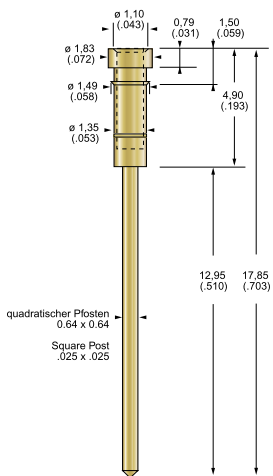
Interface-Pins

Rigid interface pins being used as counterparts for spring contact probes. Standard types for certain test system interfaces and/or fixture inserts. Further types are available, please inquire if you are interested.

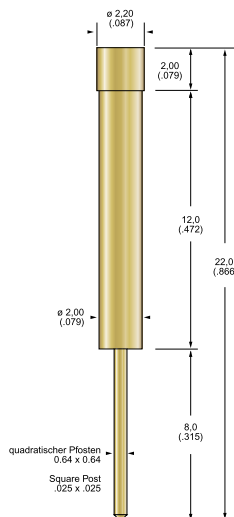
FK-069
Flat with Fish Hook



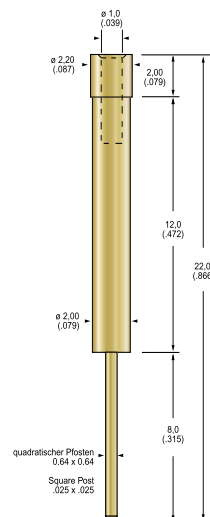
FK-070
Hollow-pin with Fish hook



FK-026
Flat Head, press-fit shaft



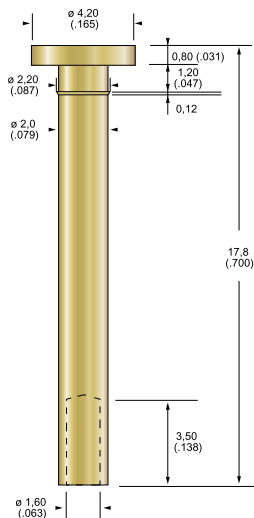
FK-027
Hollow-pin, press-fit shaft



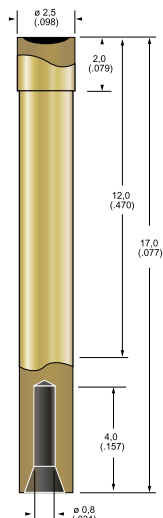
Used in Interfaces Zehntel / TERADYNE, in 170-pt. nail blocks type GenRad, Rohde&Schwarz, PEMATECH and others. Current rating 1.5 amps.

Used in Fixture Interfaces "VIN" from Ingun, for interchangeable plates and custom design interfaces in functional testers. Current rating: 3 amps.

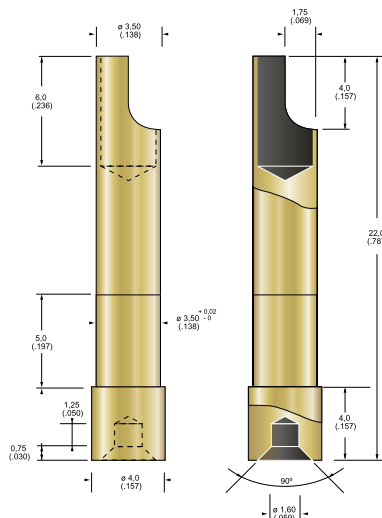
FK-090
Flat with Fish Hook



FK-488
Radiused Cup, press-fit shaft



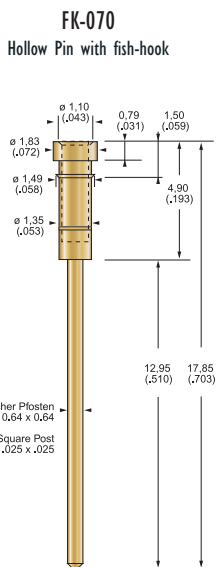
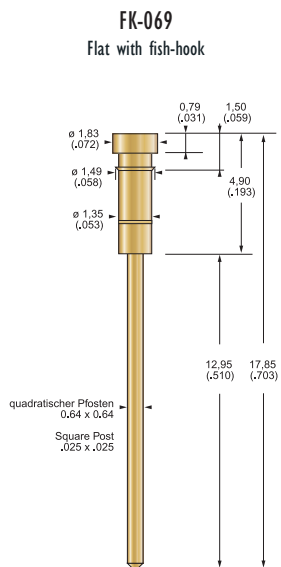
FK-386
Hollowed Pin, press-fit shaft



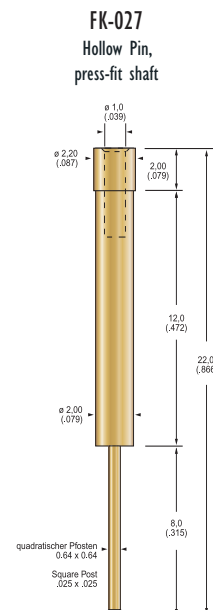
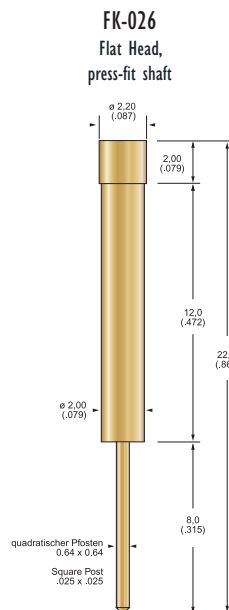
FK-090 used as PowerPin with large diameter contact surface. Current rating 8 amps. FK-488 used in VIN-Interfaces (Ingun).

High-current contact for 40 amps. Hard gold plated.

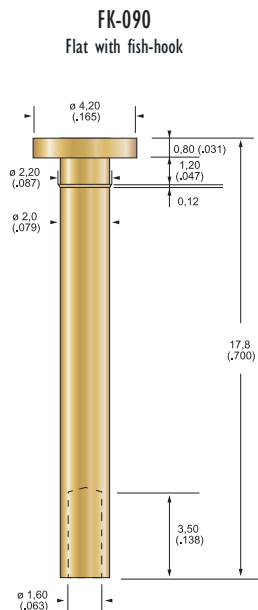
Rigid interface pins being used as counter-parts for spring contact probes. Standard types for certain test system interfaces and/or fixture inserts. Further types available, please consult factory.



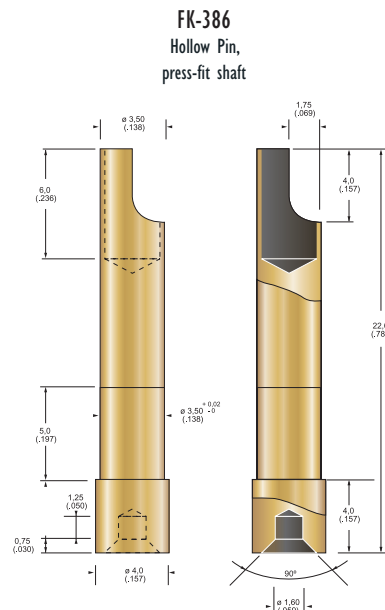
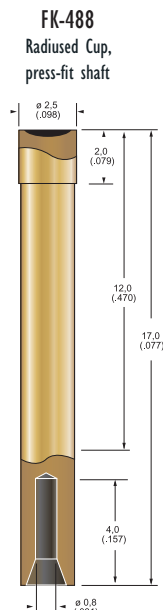
Used in Interfaces Zehntel / TERADYNE, in 170-pt. nail blocks type GenRad, Rohde&Schwarz, PEMATECH and others. Current rating 1.5 amps.



Used in Fixture Interfaces "VIN" from Ingun, for interchangeable plates and custom design interfaces in functional testers. Current rating: 3 amps.



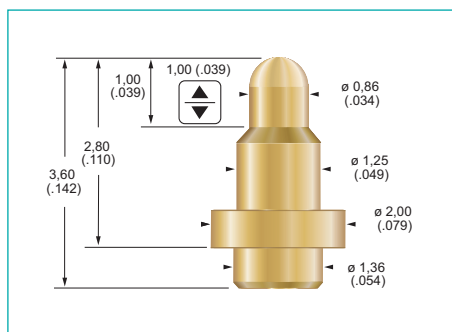
FK-090 used as PowerPin with large diameter contact surface. Current rating 8 amps.
FK-488 used in VIN-Interfaces (Ingun).



High-current contact for 40 amps. Hard gold plated.

Battery Probes

FK-394



Probes Specifications FK 394

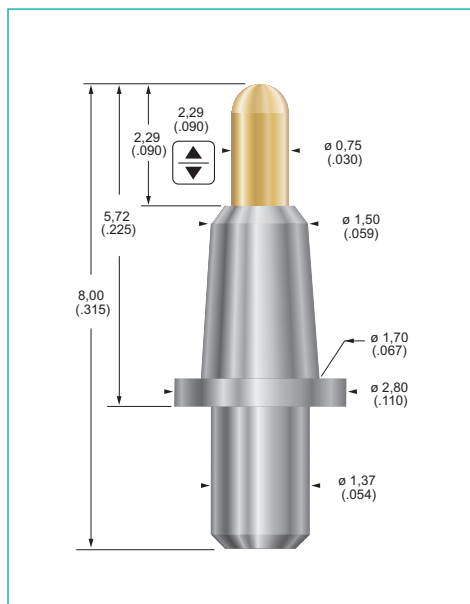
Technical Data

Minimum Centers:	2,54 (.100)	Full Travel: 1,00 (.039)
Rated Stroke:	0,70 (.028)	Probe Resistance: 50 m Ω
Current Rating:	2 A	Spring Force: 0,4 N (1.41 oz)
Operating Temperature:	-55°C / +105°C (-67°F / +221°F)	
Mechanical Life:	1x10 ⁶ deflections	

Materials / Finishes:

Plunger:	Hardened BeCu, Gold Plated
Barrel:	Machined Nickel Silver, Gold Plated
Spring:	Stainless Steel

FK-381



Probes Specifications FK 381

Technical Data

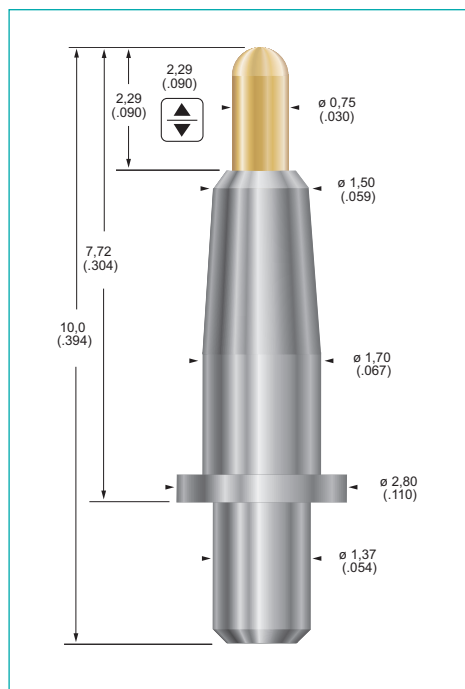
Minimum Centers:	3,18 (.125)	Full Travel: 2,29 (.090)
Rated Stroke:	1,52 (.060)	Probe Resistance: 50 m Ω
Current Rating:	2 A	Spring Force: 0,8 N (2.82 oz)
Operating Temperature:	-55°C / +105°C (-67°F / +221°F)	
Mechanical Life:	1x10 ⁶ deflections	

Materials / Finishes:

Plunger:	Hardened BeCu, Gold Plated
Barrel:	Machined Nickel Silver
Spring:	Stainless Steel

Battery Probes

FK-417



Probes Specifications FK 417

Technical Data

Minimum Centers:	3,18 (.125)	Full Travel: 2,29 (.090)
Rated Stroke:	1,52 (.060)	Probe Resistance: 50 mΩ
Current Rating:	2 A	Spring Force: 0,8 N (2.82 oz)
Operating Temperature:	-55°C / +105°C (-67°F / +221°F)	
Mechanical Life:	1x10 ⁶ deflections	

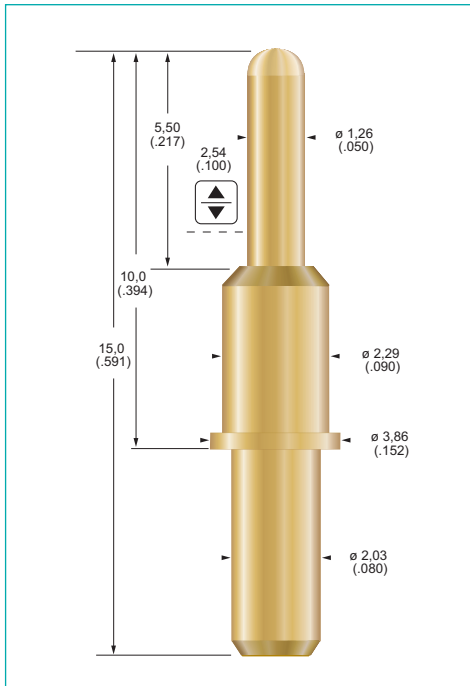
Materials / Finishes:

Plunger:	Hardened BeCu, Gold Plated
Barrel:	Machined Nickel Silver
Spring:	Stainless Steel

FK 417

Battery Probes

FK-459



Probes Specifications FK 459

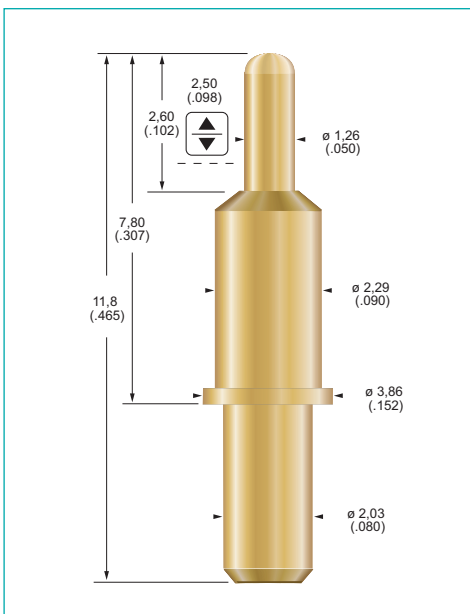
Technical Data

Minimum Centers:	4,50 (.177)	Full Travel:	2,54 (.100)
Rated Stroke:	1,52 (.060)	Probe Resistance:	30 mΩ
Current Rating:	2 A	Spring Force:	0,4 N (1.41 oz)
Operating Temperature:	-55°C / +105°C (-67°F / +221°F)		
Mechanical Life:	1x10 ⁶ deflections		

Materials / Finishes:

Plunger:	Hardened BeCu, Gold Plated
Barrel:	Machined Nickel Silver, Gold Plated
Spring:	Stainless Steel, Silver Plated

FK-446



Probes Specifications FK 446

Technical Data

Minimum Centers:	4,50 (.177)	Full Travel:	2,50 (.098)
Rated Stroke:	1,70 (.067)	Probe Resistance:	30 mΩ
Current Rating:	8 A	Spring Force:	3,0 N (10.58 oz)
Operating Temperature:	-55°C / +105°C (-67°F / +221°F)		
Mechanical Life:	1x10 ⁶ deflections		

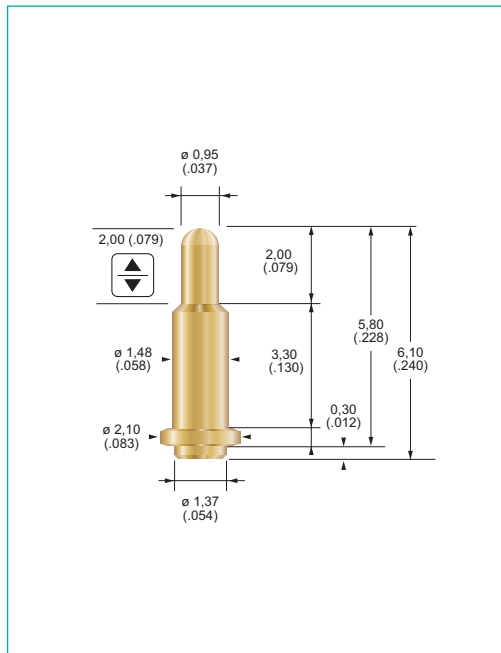
Materials / Finishes:

Plunger:	Hardened BeCu, Gold Plated
Barrel:	Machined Nickel Silver, Gold Plated
Spring:	Stainless Steel, Silver Plated

FK459 -FK446

Battery Probes

FK-471



Probes Specifications FK 471

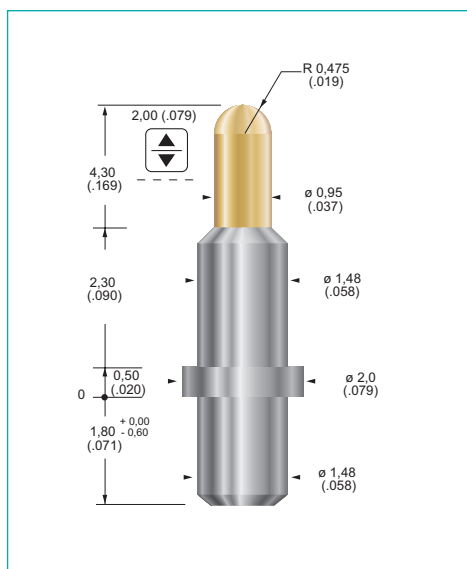
Technical Data

Minimum Centers:	2,50 (.177)	Full Travel:	2,00 (.079)
Rated Stroke:	1,50 (.059)	Probe Resistance:	30 m Ω
Current Rating:	2 A	Spring Force:	0,6 N (2.1 oz)
Operating Temperature:	-55°C / +105°C (-67°F / +221°F)		
Mechanical Life:	1x10 ⁶ deflections		

Materials / Finishes:

Plunger:	Hardened BeCu, Gold Plated
Barrel:	Machined Nickel Silver, Gold Plated
Spring:	Stainless Steel, Silver Plated

FK-480



Probes Specifications FK 480

Technical Data

Minimum Centers:	2,50 (.177)	Full Travel:	2,00 (.079)
Rated Stroke:	1,70 (.067)	Probe Resistance:	50 m Ω
Current Rating:	3 A	Spring Force:	0,6 N (2.1 oz)
Operating Temperature:	-55°C / +105°C (-67°F / +221°F)		
Mechanical Life:	1x10 ⁶ deflections		

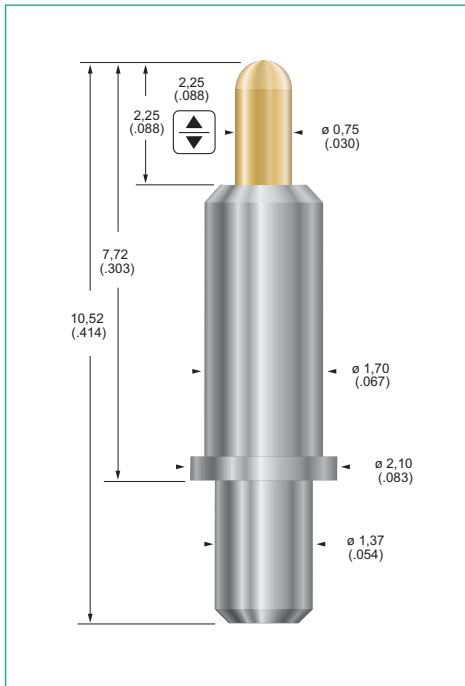
Materials / Finishes:

Plunger:	Hardened BeCu, Gold Plated
Barrel:	Machined Nickel Silver
Spring:	Stainless Steel

FK471 - FK480

Battery Probes

FK-441



Probes Specifications FK 441

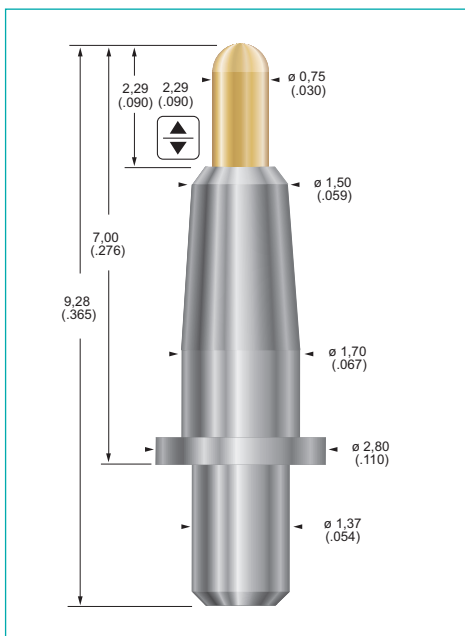
Technical Data

Minimum Centers:	2,60 (.102)	Full Travel:	2,25 (.088)
Rated Stroke:	1,52 (.060)	Probe Resistance:	50 mΩ
Current Rating:	3 A	Spring Force:	0,8 N (2.8 oz)
Operating Temperature:	-55°C / +105°C (-67°F / +221°F)		
Mechanical Life:	1x10 ⁶ deflections		

Materials / Finishes:

Plunger:	Hardened BeCu, Gold Plated
Barrel:	Machined Nickel Silver
Spring:	Stainless Steel

FK-382



Probes Specifications FK 382

Technical Data

Minimum Centers:	3,18 (.125)	Full Travel:	2,29 (.090)
Rated Stroke:	1,52 (.060)	Probe Resistance:	50 mΩ
Current Rating:	3 A	Spring Force:	0,8 N (2.8 oz)
Operating Temperature:	-55°C / +105°C (-67°F / +221°F)		
Mechanical Life:	1x10 ⁶ deflections		

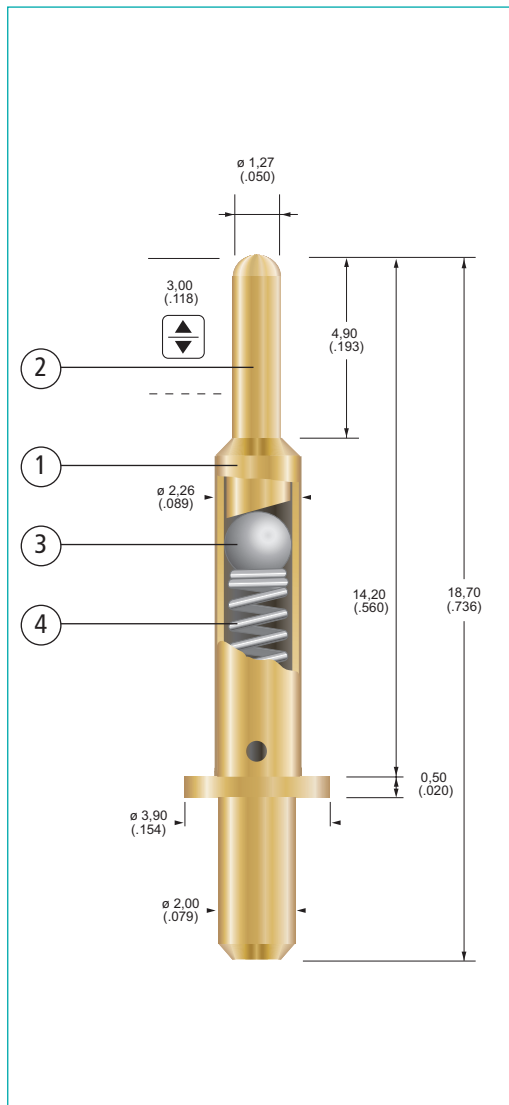
Materials / Finishes:

Plunger:	Hardened BeCu, Gold Plated
Barrel:	Machined Nickel Silver
Spring:	Stainless Steel

FK441-FK382

Battery Probes

FK-460



Probes Specifications FK 460

Technical Data

Max. travel:	3,00 mm (.118)
Recommended working travel:	2,00 mm (.079)
Spring force @ recomm. travel:	1,8 N (6.35 oz.)
Typical electrical resistance:	30 mΩ
Typical lifetime (cycles):	250'000
Max. current load (continuous):	3 A (amps)
Max. current load (peak):	5 A (amps)

Part no. 1: „Barrel“

Material: brass
 Plating: gold plated over nickel

Part no. 2: „Plunger“ (spherical round)

Material: BeCu (full hard)
 Plating: gold plated over nickel
 Biasing Ball design to ensure electrical contact to the barrel.

Part no. 3: „Ball“

Ball diameter: 1,60 mm (.063)
 Material: stainless steel
 Plating: none

Part no. 4: „coil spring“

Material: stainless steel
 Plating: gold plated